

The Concrete Studio

Concrete Countertops and Tabletops

Unique concrete.

Product Data Sheet

Concrete Countertops and Tabletops

Features

- Custom patterns
- Made-to-order designs
- On-site or factory-set forming
- Unique styles and surface finishes
- Unlimited sizes, shapes, and colors
- Options include high-gloss epoxy sealant, and unsealed natural finish

Applications

- Concrete Benches
- Kitchen backsplash tile
- Indoor and outdoor patio
- Custom Concrete Tabletops
- Kitchen concrete countertops
- Landscape designs/fountains
- Bathroom Vanity concrete countertops
- Concrete Fireplace Hearths and Surrounds

Benefits

- Color control
- Robust and durable
- Lasting beauty and warmth
- Incredible structural integrity
- Flexible designs and color combinations

Description

Concrete Countertops and Concrete Tabletops from The Concrete Studio provide a fresh, durable surface in new homes, offices, and contemporary remodels. These attractive materials offer fundamental flexibility in colors, textures, and finishes. This design freedom creates design options from the home and office to the outdoor garden and patio spaces.

The Concrete Studio designs, installs, and finishes custom Concrete Countertops and Concrete Tabletops to exacting customer requirements. All Concrete Countertops and Tabletops utilize the proprietary recipes for material strength, hardness, and repeatable color matching.

Key features of our Concrete Countertops and Tabletops include our unique ability to generate an unlimited range of custom patterns, to meet demanding style requirements. Choose from existing designs or request made-to-order framework. The choice is yours.

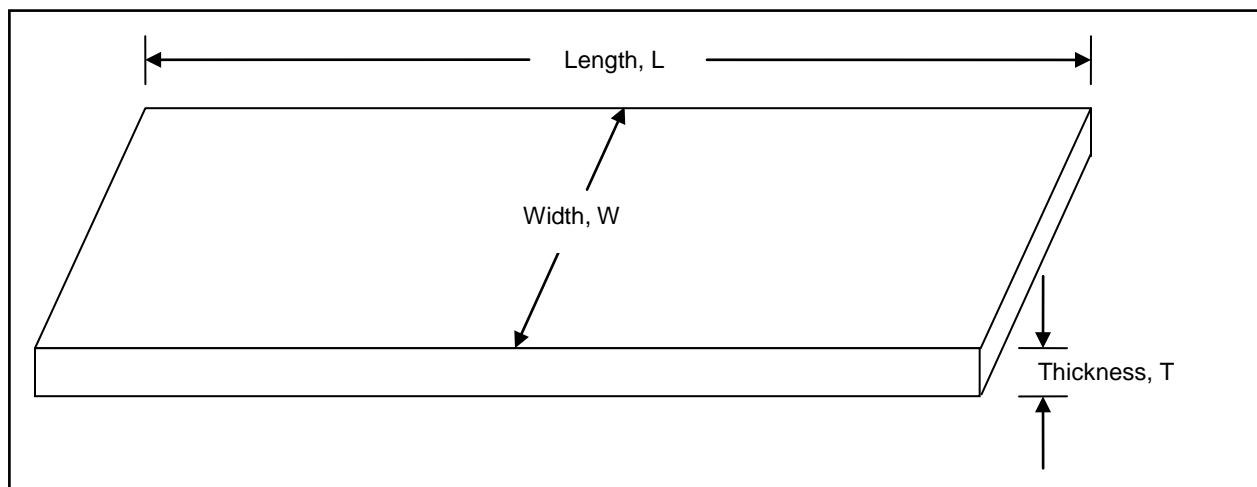


Figure 1 ~ Specify your length, width, and thickness requirements for custom

The Concrete Studio

Concrete Countertops and Tabletops

Unique concrete.

Concrete Countertops or Concrete Tabletops from The Concrete Studio.

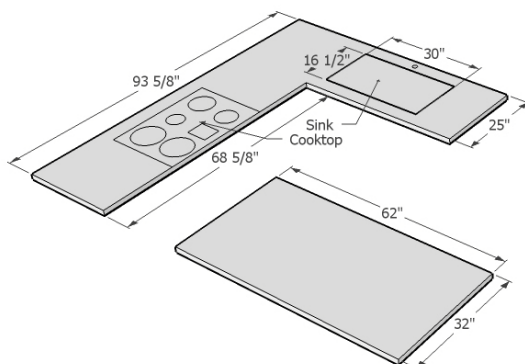
Dimensions

Several parameters help define the cost of Concrete Countertops and Concrete Tabletops. While virtually any size or dimensions are possible, surface area (length x width) and thickness dimensions combine to enable us to calculate the overall concrete volume, a key cost determinant. Concrete Countertop thicknesses generally range from 1.50 – 2.0 inches. We prefer at least a Plan View drawing of the kitchen in order to provide pricing. We also need to know where the appliances will be located such as cook tops and sinks.

Figure 1 above illustrates basic specifications used to describe our Concrete Countertops. Be sure to consider these fundamental dimensions to be able to effectively describe your kitchen configuration.

Concrete Countertops

Application requirements, logistics, and space constraints all contribute to determining whether your Concrete Countertops are poured on-site, or in our brand new, custom-designed facility. Either way, the full range of surface finish treatments is available.



Surface Finish

The exterior finish of your custom concrete products often determines the lasting look and feel of these unique surfaces. In addition to the standard pre-cast polished concrete finish, we also offer a hand-troweled finish as a custom offering.

Currently we offer three different finishes, polished and sealed, high gloss epoxy finish and a satin sealed and waxed finish. Finishes are also available including several unique embedded patterns sometimes having an acid stained or etched concrete look as well.

Edge Finish

Edge treatment is another important area where you can creatively influence the finish of your custom Concrete Countertops. Our standard edge is eased. Other countertop edges are available including the bull nose and beveled which delivers a contemporary and progressive look. We also can provide a dropped edge for countertops needing a bulkier or thicker look.

A more traditional old world and unique custom edge treatment is obtained by hand chiseling, grinding the surface smooth, and final sanding to reveal an uncommon, old-world surface.

Figure 2 ~ The layout of your kitchen and dimensions are needed to determine costs and installation requirements.

The Concrete Studio

Concrete Countertops and Tabletops

Unique concrete.

Concrete Tabletops, Vanities and Tile

The Concrete Studio offers custom Concrete Tabletops, Bathroom Vanities, and Custom Fireplace Hearths and Surrounds. This custom product can integrate specific stylistic goals for those individuals desiring a tabletop or cast concrete solution not available on the commercial market.

Options for size, shape, color and texture are unmatched by any other manufacturer, making this a unique and powerful design component.

At The Concrete Studio, we possess a unique ability to address your complete vision. Our Concrete Tabletops, Vanities and cast products can be matched to an existing design or created to capture and deliver your fundamental design elements and individual taste.

The Concrete Studio offers several proprietary Concrete Countertop and Tabletop textures and an unbelievable color palette. We have experience producing high end tabletops that rival any type of stone and also fabricate spectacular table bases to support the tops. All of our custom stainless steel and metalwork is fabricated here in our metalworking Studio.

All Concrete Tabletop, Vanity and Tile solutions are available for residential and commercial installations. The Concrete Studio ships and installs its custom Concrete products nationwide.

Figure 3 ~ Concrete Bath Vanity with base frame. The Concrete Studio fabricates a variety of custom wood or steel bases that concrete tops, sinks or vessels integrate with .

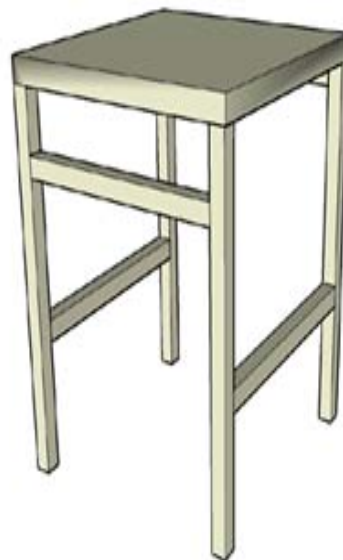
Concrete Colors

While the concrete industry at large has advanced in its ability to provide more color options, The Concrete Studio leads the way in delivering this color spectrum to the interior designer, custom homebuilder, architect, and savvy homeowner.

The Concrete Studio delivers nearly any color imaginable for our Concrete Countertops and Concrete Tabletops. Custom colors are mixed upon request, providing new options and alternatives for durable, lasting, surfaces.

Natural materials cannot compete with the design freedom, custom color choices, and control now offered in custom concrete material. A dozen standard colors are now offered from The Concrete Studio. New colors are developed on an ongoing basis and are constantly expanding our color capability.

Color vibrancy can be greatly enhanced with surface polishing and our high gloss epoxy sealant. The resultant color is vibrant, providing movement and texture that is unmatched.



The Concrete Studio

Concrete Countertops and Tabletops

Unique concrete.

Concrete Countertops and Tile

Unique concrete.

Specifications

| | Concrete Tabletops | | Concrete Countertops | |
|-------------------------------------|---|--|---|--|
| | Standard | Custom | Standard | Custom |
| Length | 2 to 6 feet | > 6 feet | up to 48 inches | > 48 inches |
| Width | 2 to 3 feet | > 3 feet | up to 36 inches | > 36 inches |
| Thickness | 1.5 to 2.0 inch | > 2.0 inch | 1.5 to 2.0 inches | > 2.0 inches |
| Colors | Included in standard (12 color) palette | Outside standard color palette | Included in standard (12 color) palette | Outside standard color palette |
| Concrete Forming and Pouring | The Concrete Studio | | | On-site at customer location |
| Edge Treatment | Eased | Eased | Eased | Bull nose, Round, Hand Chiseled |
| Surface Finish | Polished and Sealed | Polished and Sealed (with or without high gloss epoxy sealant) | Polished and Sealed | Patterned or Polished (with or without high gloss epoxy sealant) |

Above specifications are subject to change without notice. Please contact The Concrete Studio for additional updates.

Company Profile

The Concrete Studio specializes in designing and fabricating custom concrete and metal furniture, unique concrete countertops, concrete tabletops, fireplace hearths and surrounds. We also provide custom architectural and ornamental metalwork. Working directly with architects, designers, and creative homeowners – catering to both old-world, traditional designs as well as progressive and contemporary tastes. Current materials include various metals, concrete, stainless steel, wood, and stone. Designs include furniture, concrete countertops, concrete tabletops, concrete benches, planters, concrete fireplace hearths and surrounds, swimming pool copings, stainless steel countertops, acid stained and scored floors, decorative metalwork, concrete vanities, kitchen and bath countertops and interior accessories.

For additional product and company information, including our latest portfolio – please contact:

The Concrete Studio

Telephone: 469-248-5090

1727 E. Levee Street
Dallas, TX 75207

Website: www.theconcretestudio.com

USA

E-mail: orlando@theconcretestudio.com

© March 2009 The Concrete Studio, LLC. All rights reserved.